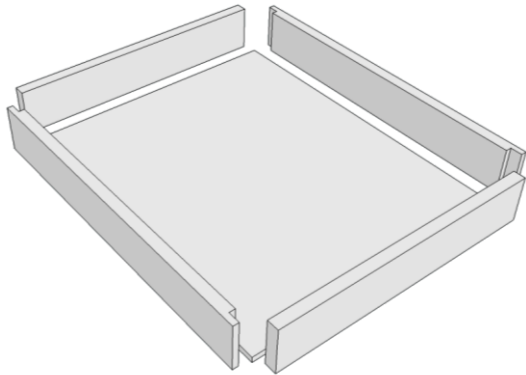


Telescoping Lid Instructions

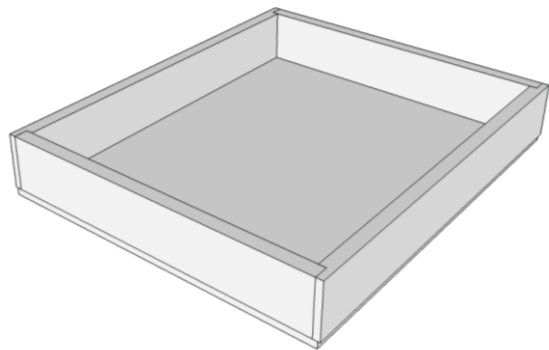
General Comments before you begin:

- Glue should be used on all joints throughout assembly.
- If you have any questions, feel free to give us a call at (405)600-7200.

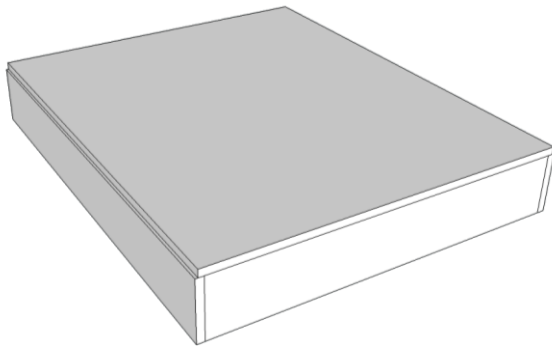
Step 1. -



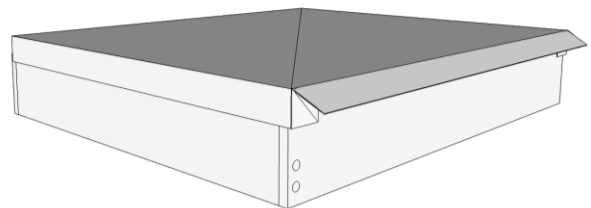
Step 2. -



Step 3. -



Step 4. -



Complete –

